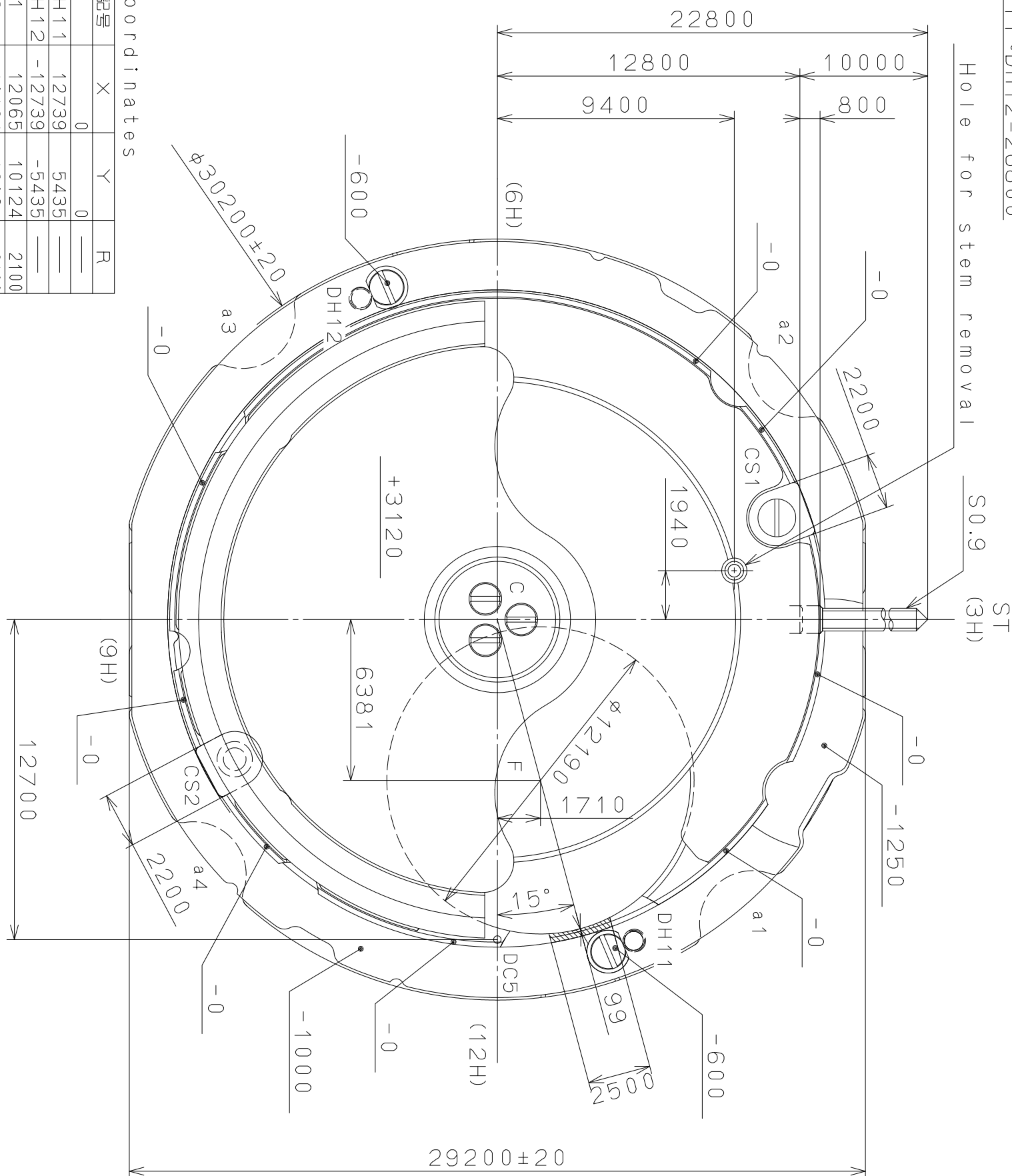
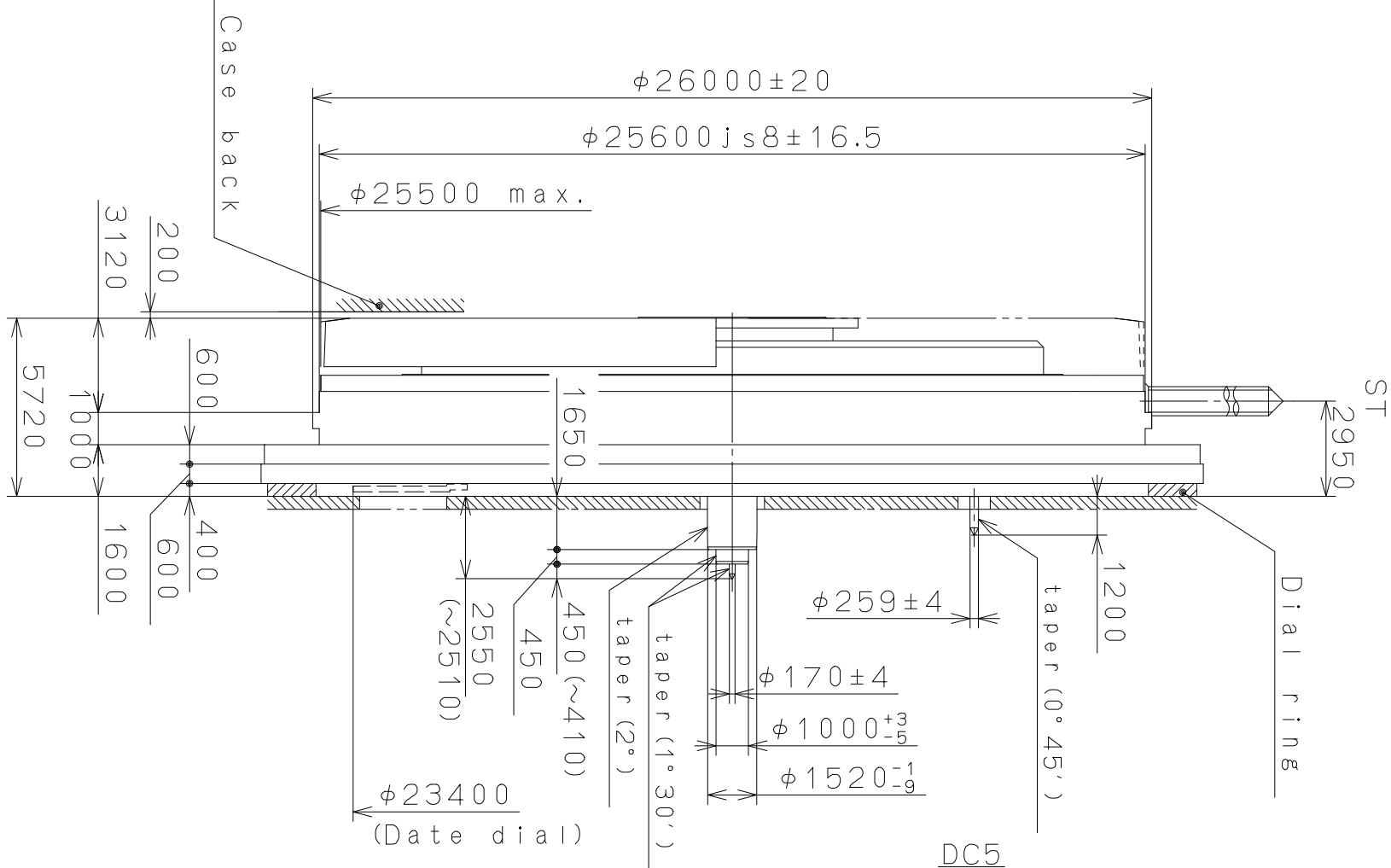
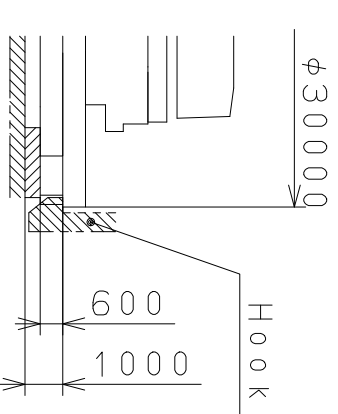
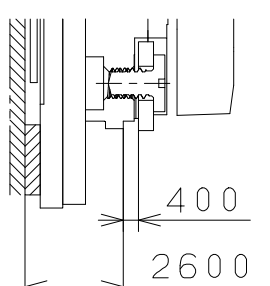


DH11~DH12=26800



Coordinates

記号	X	Y	R
C	0	0	—
DH11	12739	5435	—
DH12	-12739	-5435	—
a1	12065	10124	2100
a2	-10124	12065	2100
a3	-12065	-10124	2100
a4	10124	-12065	2100

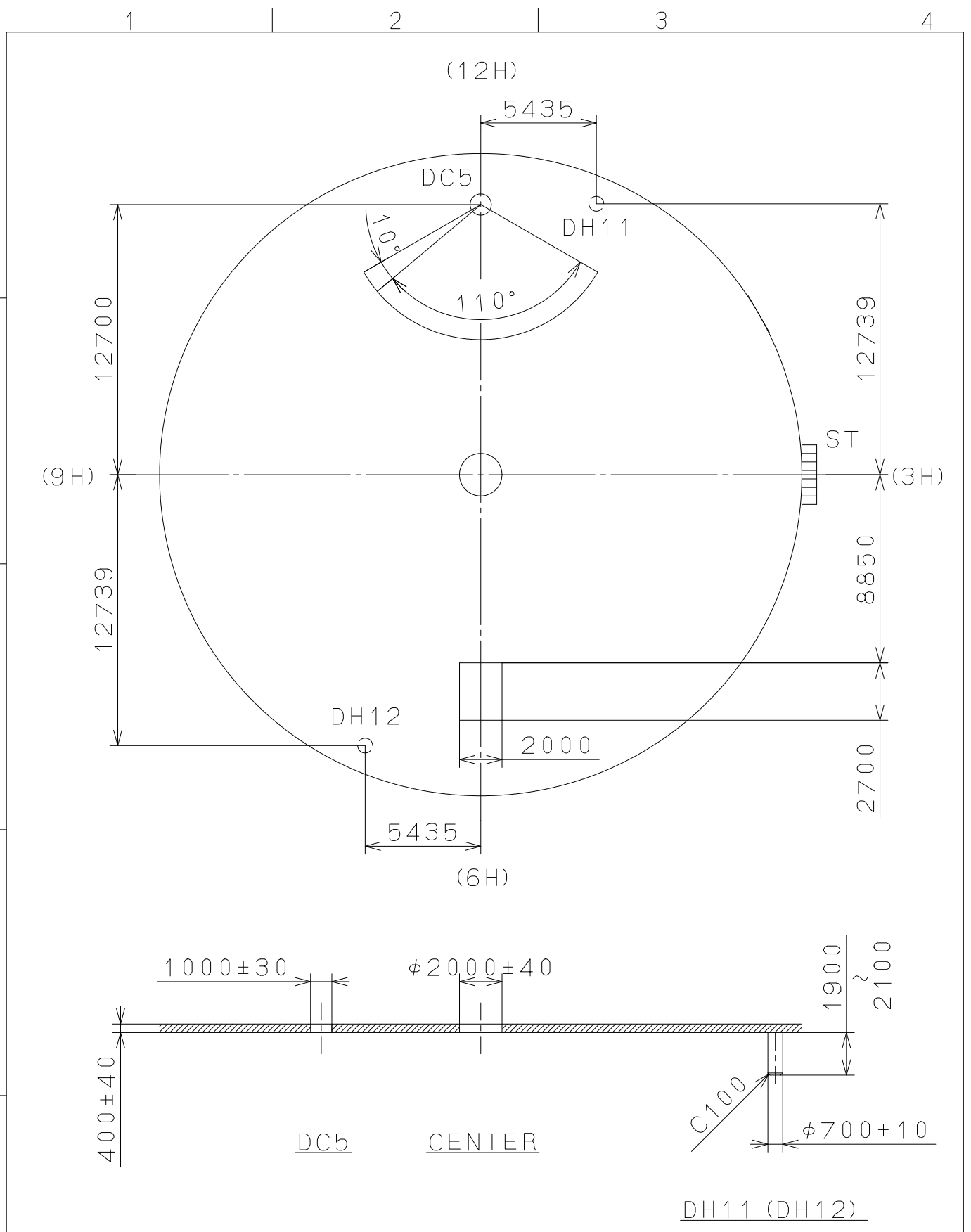


Material	Alterations	Quantity	Unit	Cal. NO.:
Heat Treatment	Date	1/1000	mm	9130
Hardness	Description	Scale	5 : 1	Parts No.:
Plating	Checked	Drawn		
	Approved			
		N. Suzuki		Name:
				Frame for Case
				Drawing No.: 9130C000

**MIYOTA**  
CITIZEN WATCH CO., LTD. TOKYO, JAPAN

confidential papers 2013/02/12 (10:36:03)

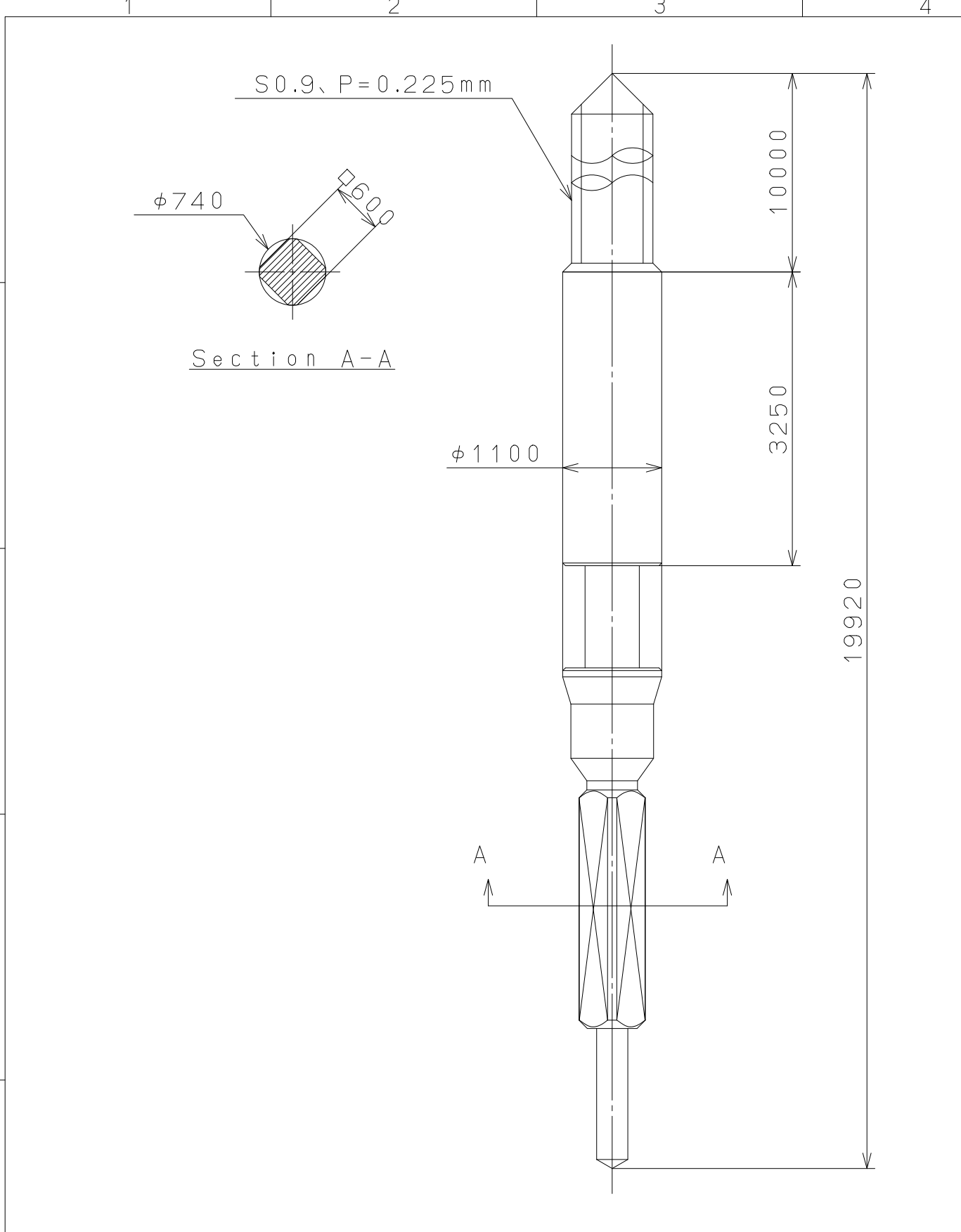
This drawing is provisional and subject to our reconfirmation and/or revision without notice.



△			Quantity		Cal.NO.:
△			Unit	1 / 1000 <sub>mm</sub>	9130-20Z
△			Scale	4 : 1	Parts No.:
△			Date		
△			Drawn		
Mark	Date	Description	Appr.	Checked	Name:
		Alterations	Approved	N. Suzuki	Indications for Dial
Material					Drawing No.: 9130D010
Heat Treatment			General Tolerances	<b>MIYOTA</b>	
Hardness			Dimensions		
Plating			Angles		
				CITIZEN WATCH CO., LTD. TOKYO, JAPAN	

2009/03/19 (15:03:29)

This drawing is provisional and subject to our reconfirmation and/or revision without notice.



⑤			Quantity		Cal.NO.:
④			Unit	1/1000mm	
③			Scale	17:1	Parts No.:
②			Date		065-A05
①			Drawn		
Mark	Date	Description	Appro.	Checked	Name:
		Alterations		Approved	SETTING STEM
Material					Drawing No.: A050S000
Heat Treatment				General Tolerances	<b>MIYOTA</b>
Hardness				Dimensions	
Plating				Angles	
					CITIZEN WATCH CO., LTD. TOKYO, JAPAN